

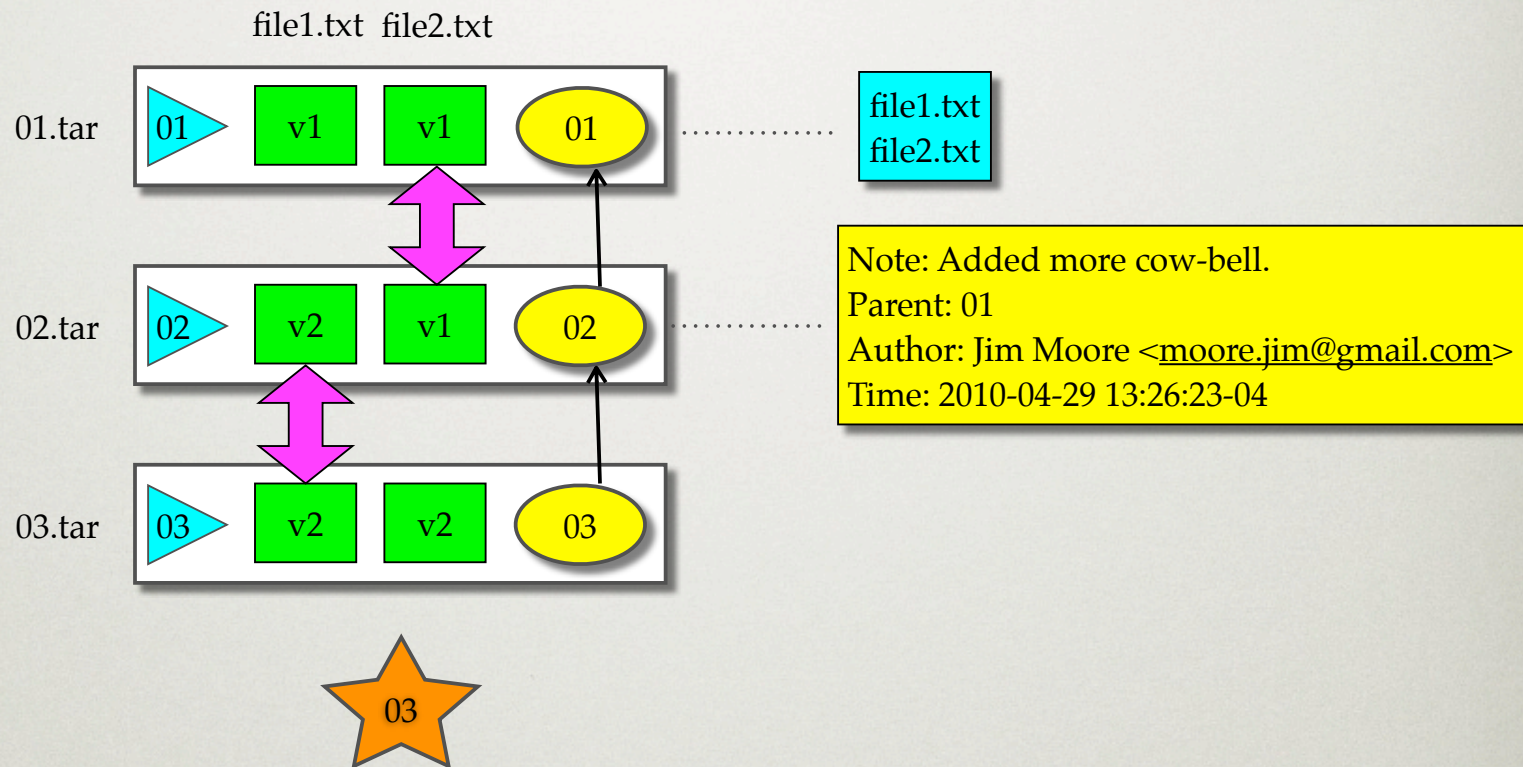
A LOOK AT GIT

BY JIM J. MOORE



VCS THEORY

GOING VERY BASIC/OLD SCHOOL



TAKING IT APART

current

```
aaa  *meta*  (01)
aab  /  (01)
aac  file1.txt (v1)
aad  file2.txt (v1)
aae  *meta*  (02)
aaf  /  (02)
aag  file1.txt (v2)
aah  *meta*  (03)
aai  /  (03)
aaj  file2.txt (v2)
```

current

aae

aae

Note: Added more cow-bell.

Parent: aaa

Author: Jim Moore <moore.jim@gmail.com>

Time: 2010-04-29 13:26:23-04

Manifest: aaf

aaf

```
aac file1.txt
aag file2.txt
```

MAKING IT MORE “REAL”

HEAD

```
3f5  commit (01)
b4a  tree (01)
284  file1.txt (v1)
cd2  file2.txt (v1)
b2f  commit (02)
c67  tree (02)
2f5  file1.txt (v2)
1b0  commit (03)
3g9  tree (03)
68e  file2.txt (v2)
```

HEAD

b3f

b3f

Note: Added more cow-bell.

Parent: b4a

Author: Jim Moore <moore.jim@gmail.com>

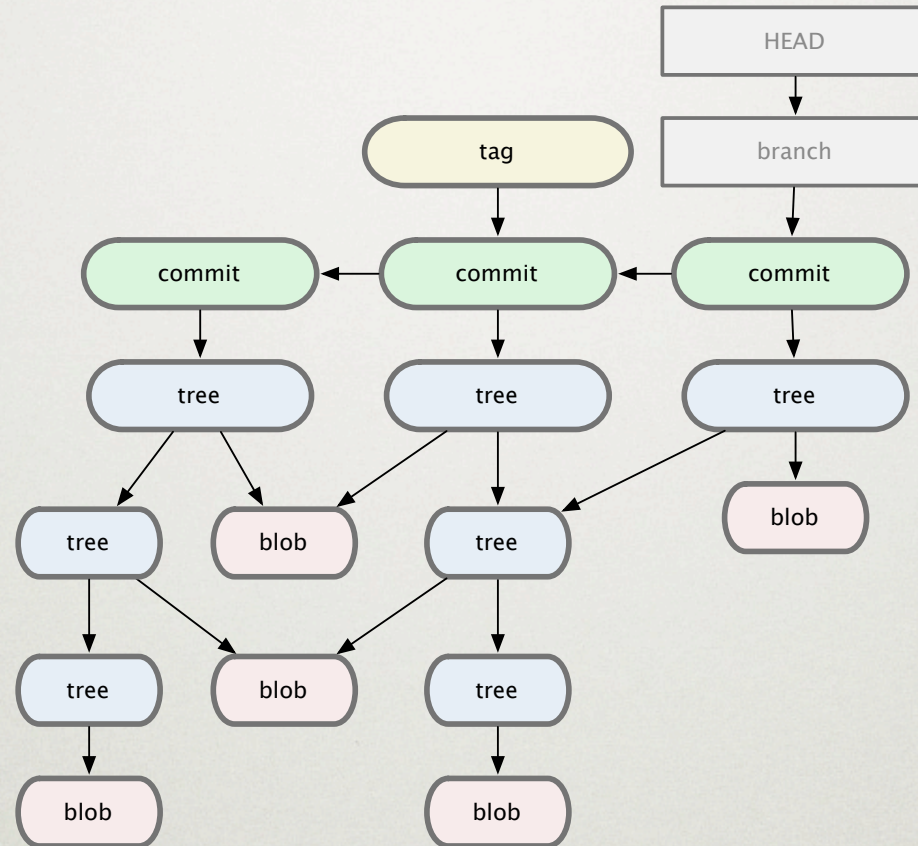
Time: 2010-04-29 13:26:23-04

Tree: c67

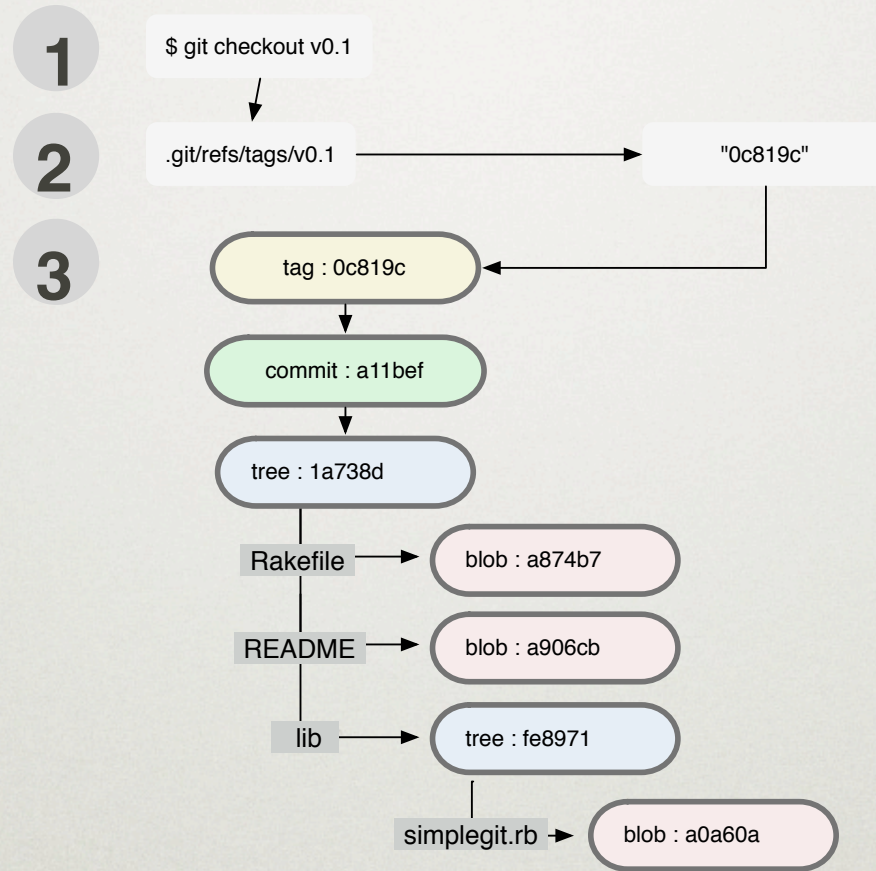
c67

```
284 file1.txt
2f5 file2.txt
```

DAG



SAMPLE OF THE OBJECTS



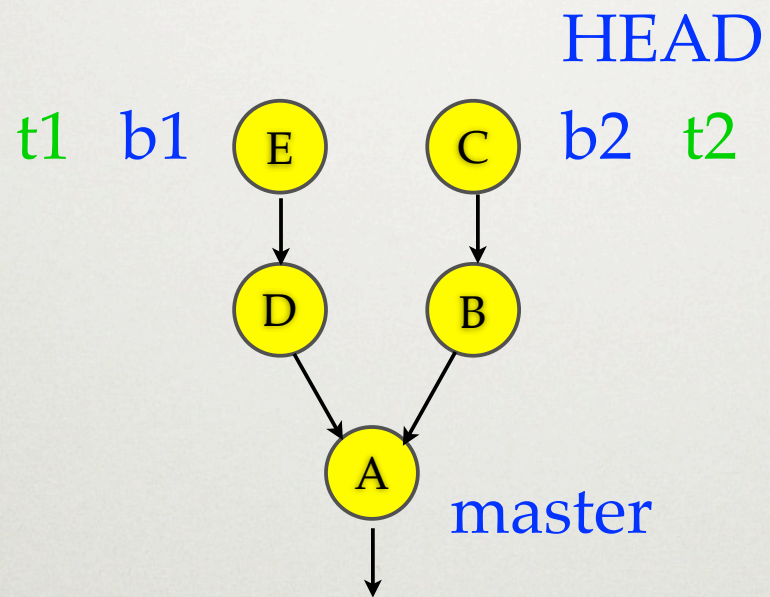
GIT BASICS

BRANCHING & TAGGING

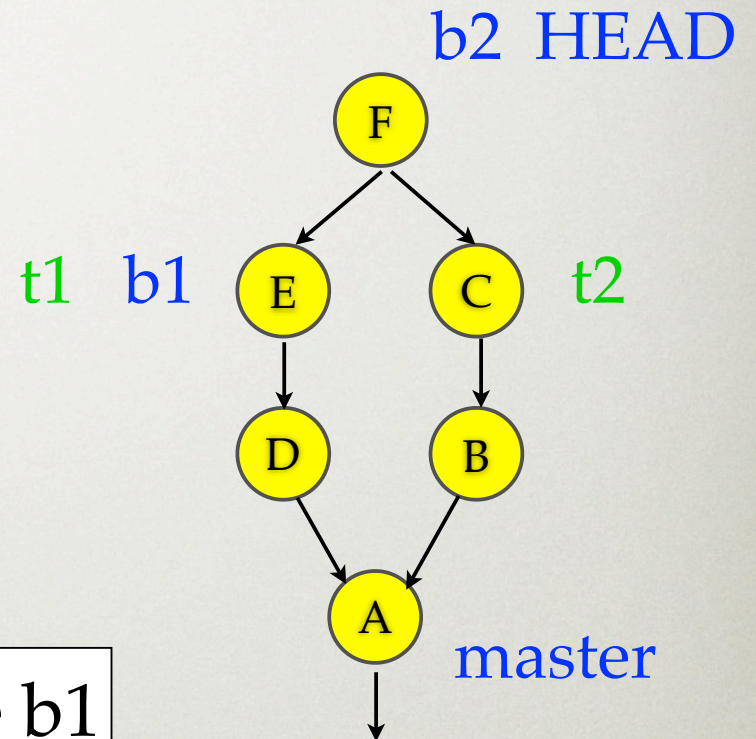
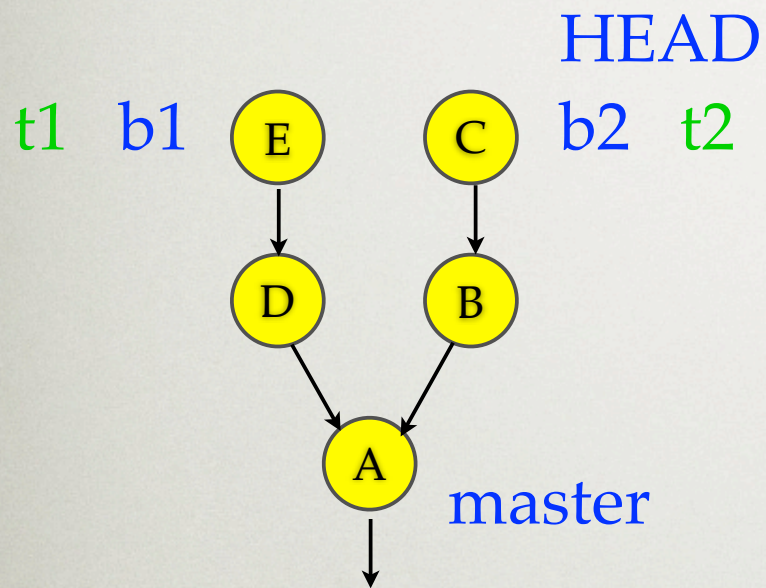
RESET

MERGING

INITIAL COMMITS



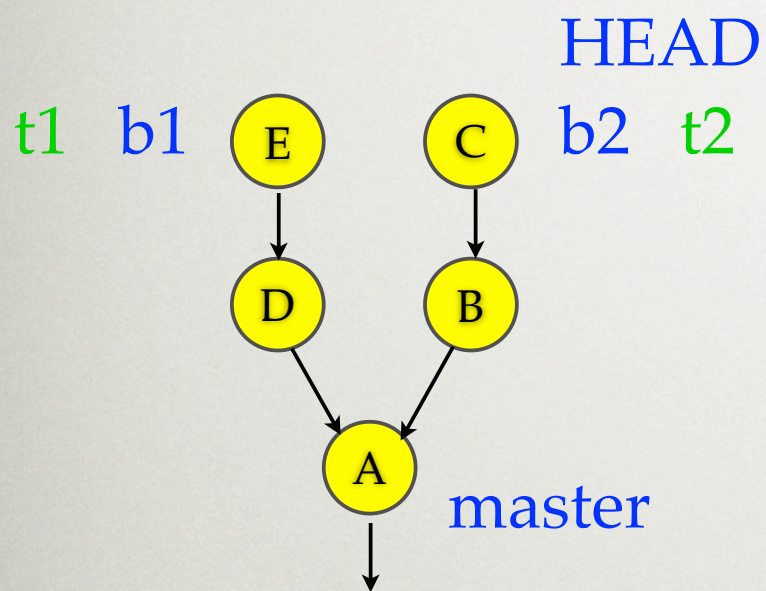
MERGING BRANCHES



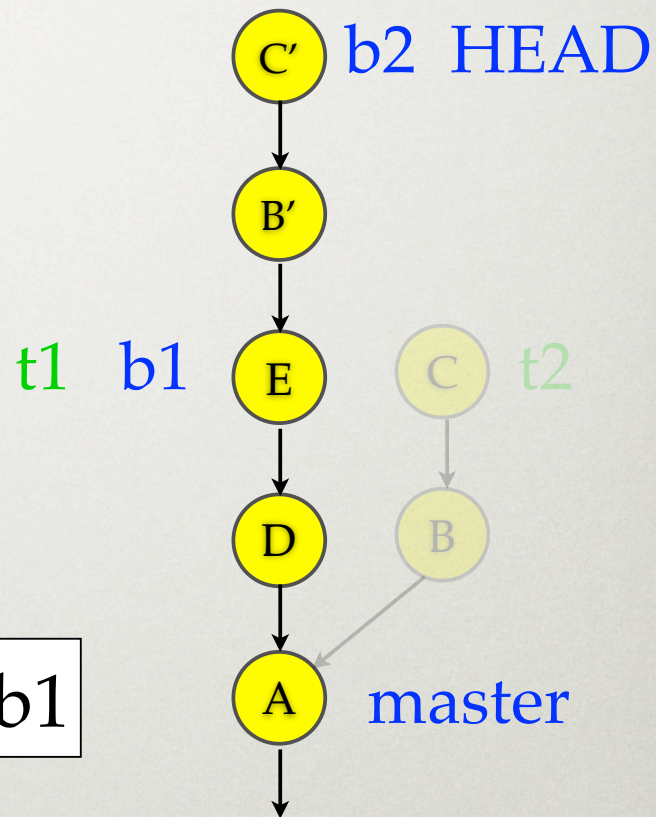
git merge b1

REBASING

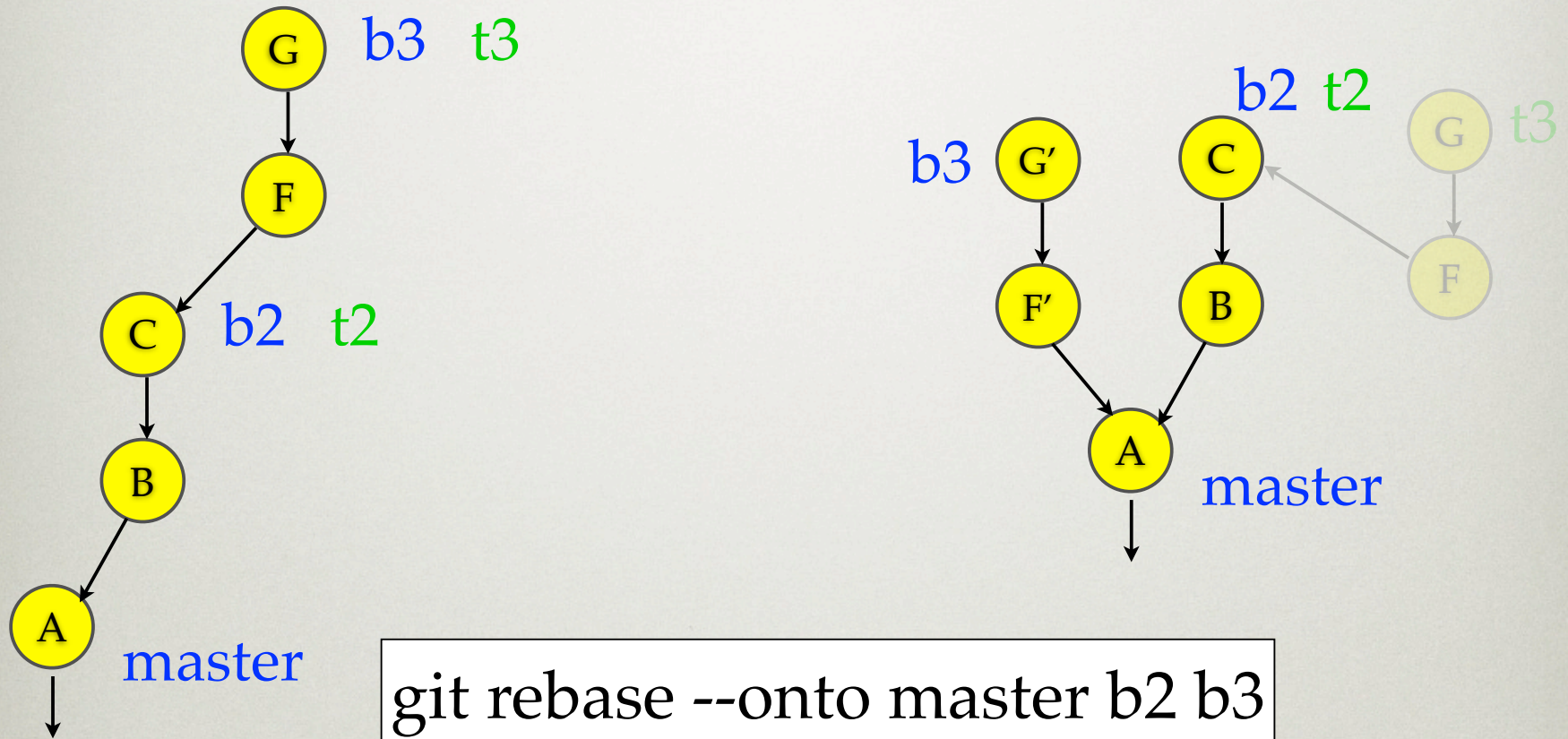
REBASING BRANCHES



git rebase b1

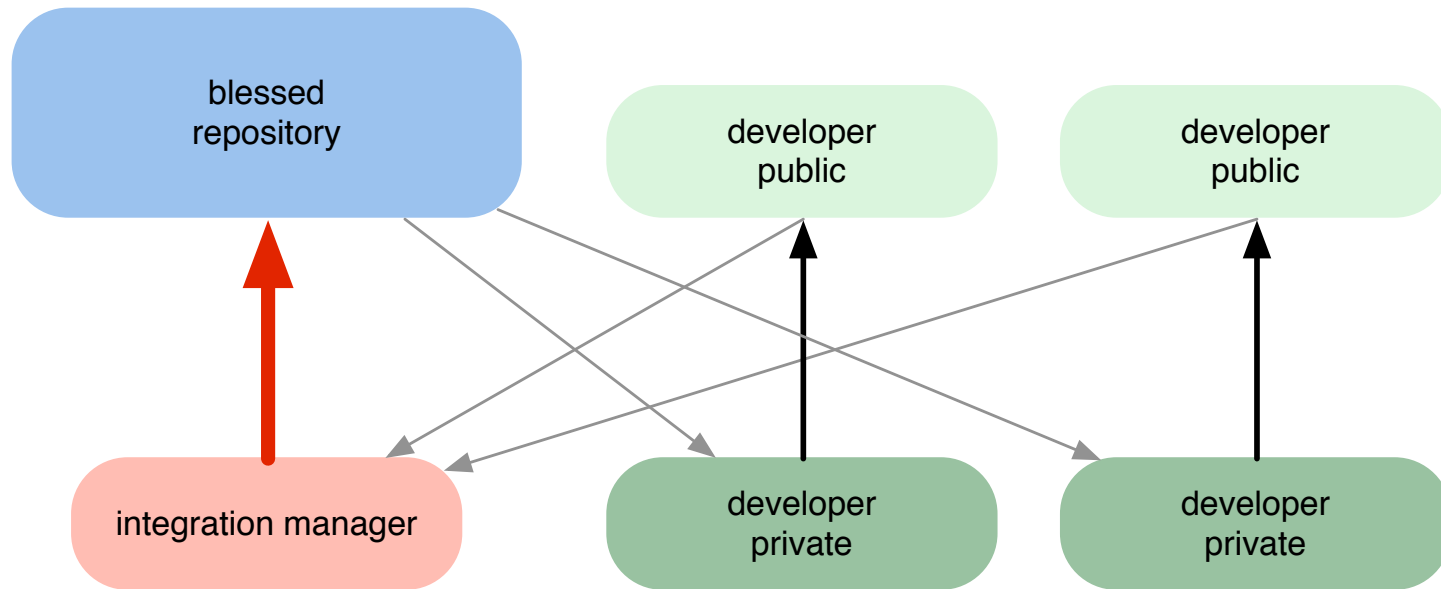


REBASING ONTO BRANCHES



WORKING WITH OTHERS

COMMON OSS MODEL



ADVANCED (BISECT,
GC, REPACK, ETC)

Q & A